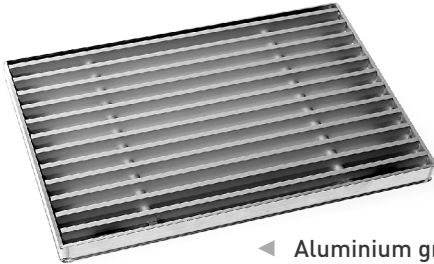


Floor air grilles



ALF|STF-H

Hygienic certificates:
HK/B/1121/01/2007
HK/B/1704/03/2007



◀ Aluminium grilles ALF

They are equipped with stationary vanes with air outflow angle 15 degrees.

Air grilles ALF and STF-H are designed for applications in the low- and medium pressure ventilation systems. They can be mounted directly in the floor as the finishing of ventilation duct.



Aluminium grilles STF-H ▶

They are equipped with stationary vanes with air outflow angle 0 degrees.

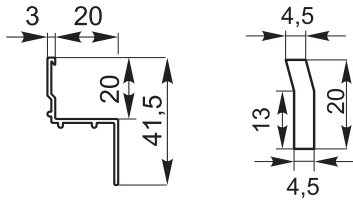
Air grilles ALF

Material

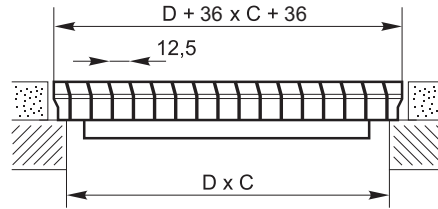
The frame and stationary vanes (insert) of the grilles are made out of anodised aluminium in natural colour. On order, it is possible to varnish them in another RAL colour. The vanes under standard version are made out of the profile which allows shaping the air outflow under the angle of 15 degrees. In the optional version, the vanes may be made out of brass or stainless steel profiles enabling to shape the air outflow under the angle of 0 degrees.

Frame and vane construction

The grille frames and vanes are made out of the profiles as in the figure



Dimensions



Assembly

The grille insert is mounted in the frame by means of spring fasteners. The whole is installed into the properly prepared assembling hole (see figure above).

Dimensions, active surface, grille weight ALF

The standard dimensions of the grilles are given below. On customer's request, it is possible to produce the grilles with the dimensions other than the standard ones.

C	D	ALF		C	D	ALF	
		A _{eff}	Mass			A _{eff}	Mass
[mm]	[mm]	m ²	kg	[mm]	[mm]	m ²	kg
225	75	0,011	0,8	325	325	0,072	3,0
325	75	0,016	1,1	425	325	0,095	3,8
425	75	0,021	1,4	525	325	0,119	4,5
525	75	0,027	1,7	625	325	0,141	5,3
625	75	0,031	1,9	825	325	0,188	6,8
825	75	0,042	2,5	1025	325	0,234	8,3
1025	75	0,052	3,1	1225	325	0,281	9,9
1225	75	0,063	3,6	425	425	0,125	4,7
225	125	0,018	1,1	525	425	0,156	5,7
325	125	0,027	1,5	625	425	0,185	6,6
425	125	0,036	1,9	825	425	0,247	8,5
525	125	0,045	2,2	1025	425	0,306	10,4
625	125	0,053	2,6	1225	425	0,368	12,4
825	125	0,071	3,4	525	525	0,193	6,8
1025	125	0,088	4,1	625	525	0,228	8,0
1225	125	0,106	4,9	825	525	0,305	10,3
225	225	0,033	1,7	1025	525	0,379	12,6
325	225	0,049	2,2	1225	525	0,455	14,8
425	225	0,066	2,8	625	625	0,272	9,3
525	225	0,082	3,4	825	625	0,364	12,0
625	225	0,097	4,0	1025	625	0,451	14,7
825	225	0,130	5,1	1225	625	0,543	17,3
1025	225	0,161	6,2				
1225	225	0,194	7,4				

Where:

- C - width of the assembly hole in mm
- D - height of the assembly hole in mm
- A_{eff} - active surface in m²
- Mass - grille weight in kg

Selection of ALF

Nomograms presenting the hydraulic and acoustic characteristics of the grilles are on page 369.

Accessories and how to order ALF

Nomograms presenting the hydraulic and acoustic characteristics of the grilles are on page 329

ALF - <C>x<D> - <P><RAL> / <ADD>

Gdzie:

- <C> - width of the assembly hole in mm
- <D> - height of the assembly hole in mm
- <P> - finishing: **
 - AA – anodised aluminium**
 - AL – varnished aluminium
 - CZ – brass
 - SN – stainless steel: grade 1.4301 (304 acc. to AISI, 0H18N9 acc. to PN)
- <RAL> - colour according to the RAL palette (for finishing of AL)*
- <ADD> - here you should determine the additional accessories as below:

Accessories ***

- <GA> - backward damper made out of aluminium
- <GS> - concurrent damper made out of the galvanised steel
- <GC> - tangent-balance damper
- <GM> - arc damper
- <GT> - slot damper
- <LO1> - screen deflector with useful surface of 38% section
- <LO2> - screen deflector with useful surface of 58% section

Plenum box according to the configuration as below:

- <SR><I>-<H>-<K><D><R>
- <I> - insulation:
 - none = no insulation
 - t = insulated
 - <H> - box height in mm *
 - <K> - position of connector pipe:
 - b = lateral
 - g = upper
 - <D> - connector pipe diameter in mm *
 - <R> - damper in the connector pipe:
 - none = no damper
 - P = damper with regulation from outside the box

* optional values, when they are not given, the default values shall apply

Example of the order:

ALF – 525x225 – AL9010 / GA, SRt – 270 – b200

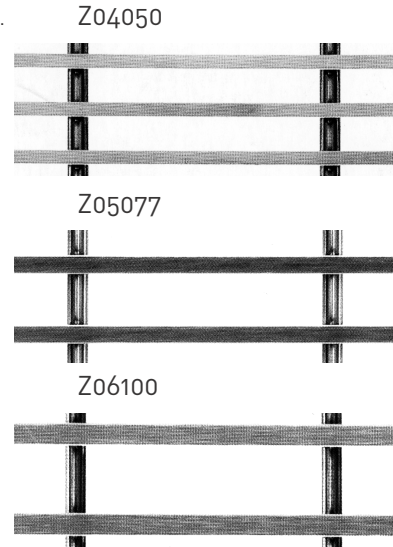
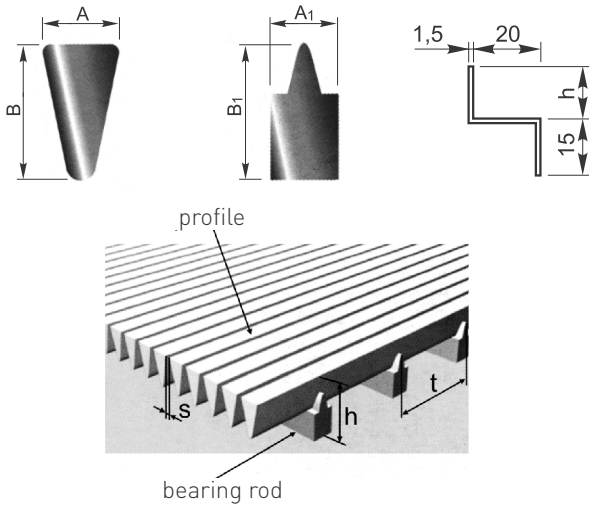
Air grilles STF-H

Material

The grille frame and stationary vanes are made out of stainless steel 1.4301. On order, it is possible to varnish them in RAL colour or execution of stainless steel 1.4404 with increased resistance to corrosion. The vanes (insert) are made out of the profiles enabling to shape the air outflow under the angle of 0 degrees. The standard variant is made with the insert Z06100.

Frame and vane construction

The grille frames and vanes are made out of the profiles as in the figure.

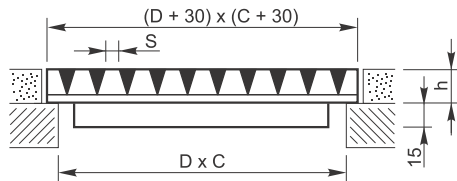


Assembly

The grilles are mounted by embedding in the suitably prepared assembling hole (see figure below).

Dimensions

The presented dimensions C and D are the maximum dimensions for the given design of the grille insert. While making the order, we kindly ask you for giving individual dimensions according to the project needs.



Raster type	Profile		Bearing rod		h	s	t	C	D	A _{eff} [m ²] dla 1m ²	Mass / m ²
	A	B	A1	B1							
Z04050	2,2	4,5	4	8	11	5,0	50	1970	1970	0,560	10,9
Z05077	2,8	5,0	4	8	11	7,7	50	1970	1970	0,596	10,9
Z06100	3,4	6,5	4	8	13	10,0	50	1970	1970	0,608	12,1

Where: C - width of the assembly hole in mm D - height of the assembly hole in mm A_{eff} - active surface in m² Mass - grille weight in kg

Selection of STF-H



Nomograms presenting the hydraulic and acoustic characteristics of the grilles are on page 369

Accessories and how to order STF-H

While making the order, it is necessary to provide the information according to the below-mentioned method:

STF-H - <C>x<D> - <T> - <P><RAL> / <ADD>

Where:

- <C> - width of the assembly hole in mm
- <D> - height of the assembly hole in mm
- <T> - type of insert (vanes): *
 - Z04050
 - Z05077
 - Z06100**
- <P> - finishing: *
 - SN [1.4301] – stainless steel: grade 1.4301 (304 acc. to AISI, 0H18N9 acc. to PN)**
 - SN [1.4404] – stainless steel: grade 1.4404 (316l acc. to AISI, 0H17N14m2 acc. to PN)
 - SL – stainless steel 1.4301 varnished
- <RAL> - colour according to the RAL palette (for finishing of SL)*
- <ADD> - here you should determine the additional accessories as below:

Accessories ***

- <GA> - backward damper made out of aluminium
- <GS> - concurrent damper made out of the galvanised steel
- <GC> - tangent-balance damper
- <GM> - arc damper
- <GT> - slot damper
- <LO1> - screen deflector with useful surface of 38% section
- <LO2> - screen deflector with useful surface of 58% section

Plenum box according to the configuration as below:

<SR><I>-<H>-<K><D><R>

- <I> - insulation:
 - none = no insulation
 - t = insulated
- <H> - box height in mm *
- <K> - position of connector pipe:
 - b = lateral
 - g = upper
- <D> - connector pipe diameter in mm *
- <R> - damper in the connector pipe:
 - none = no damper
 - P = damper with regulation from outside the box

* optional values, when they are not given, the default values shall apply

Example of the order:

STF-H – 270x1070 – Z06100 – SN (1.4301) / GS, SRt – 270 – b160

